



SECTIONAL NO-WING™

LIGHT DUTY SECTIONAL SNO-WING

PARTS MANUAL

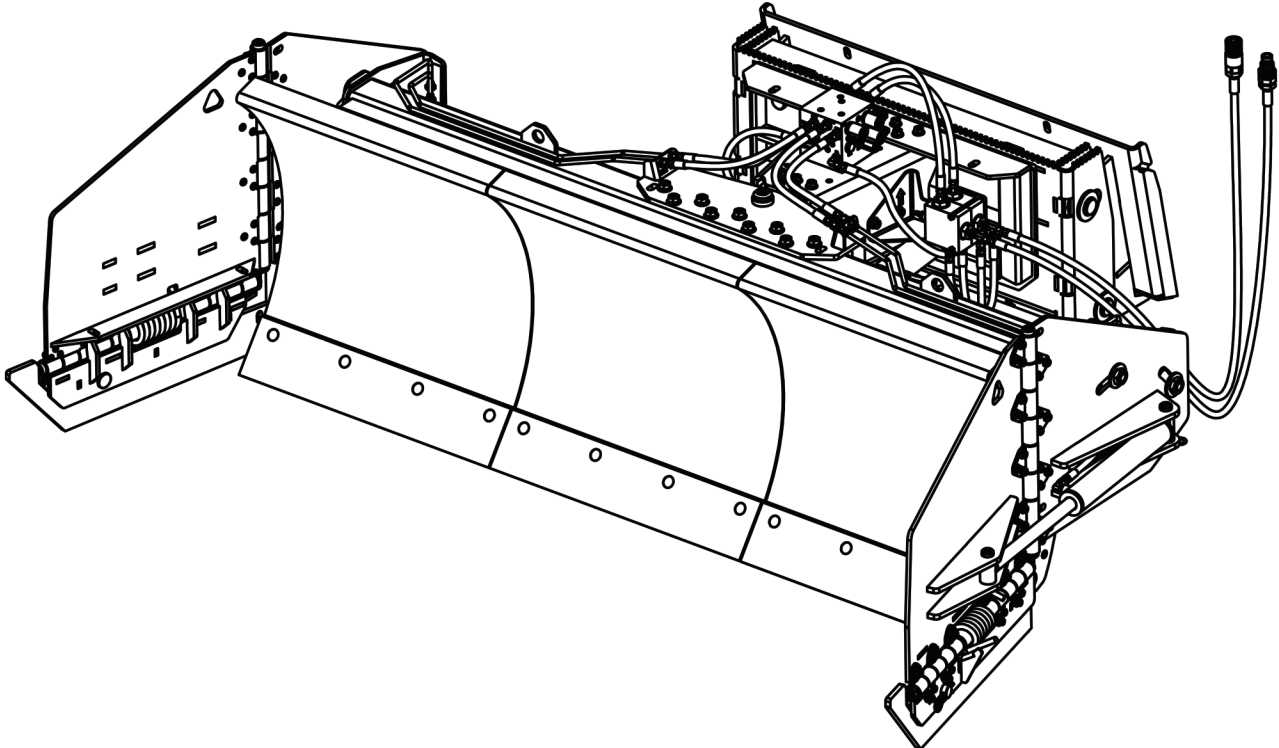
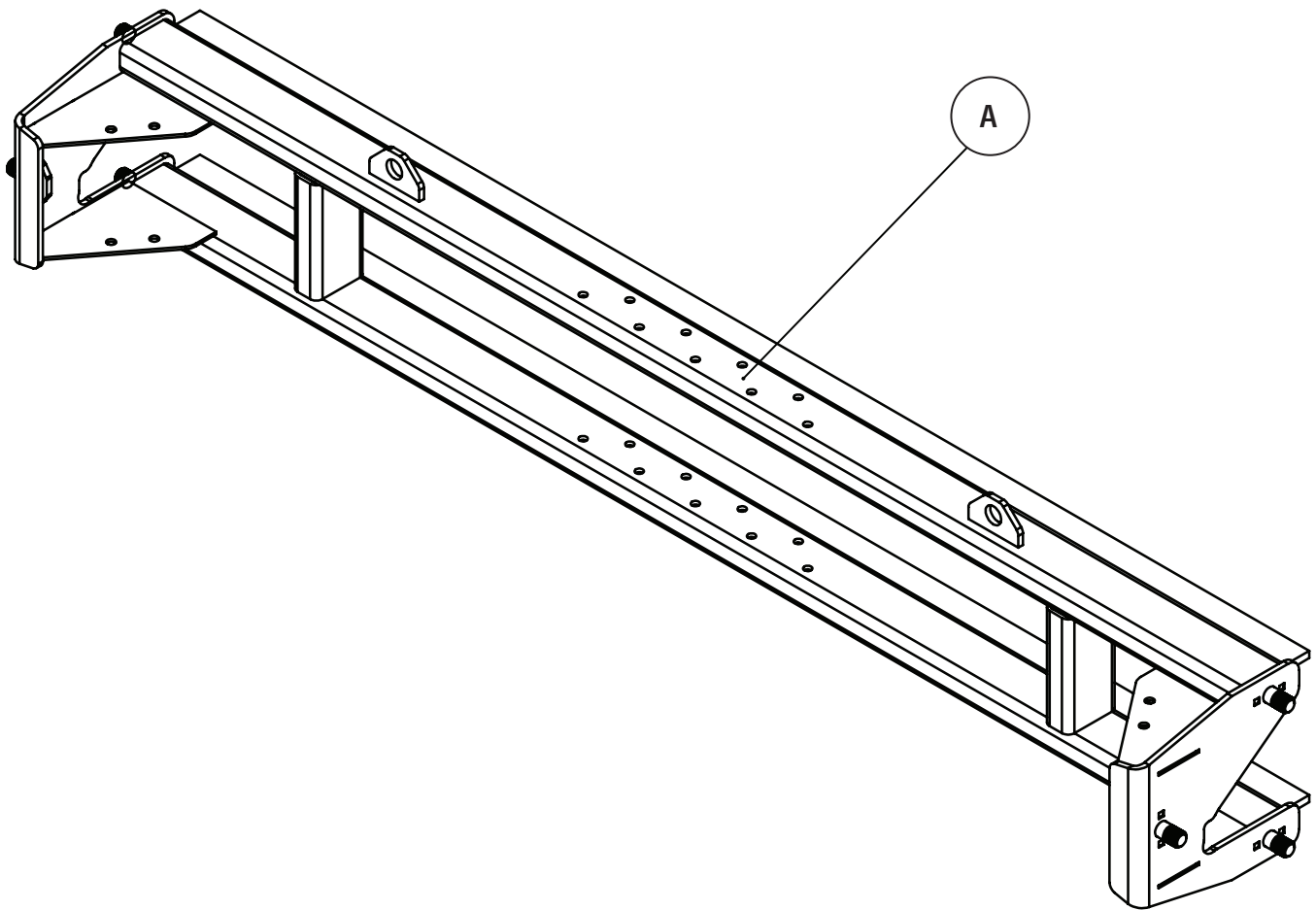


TABLE OF CONTENTS

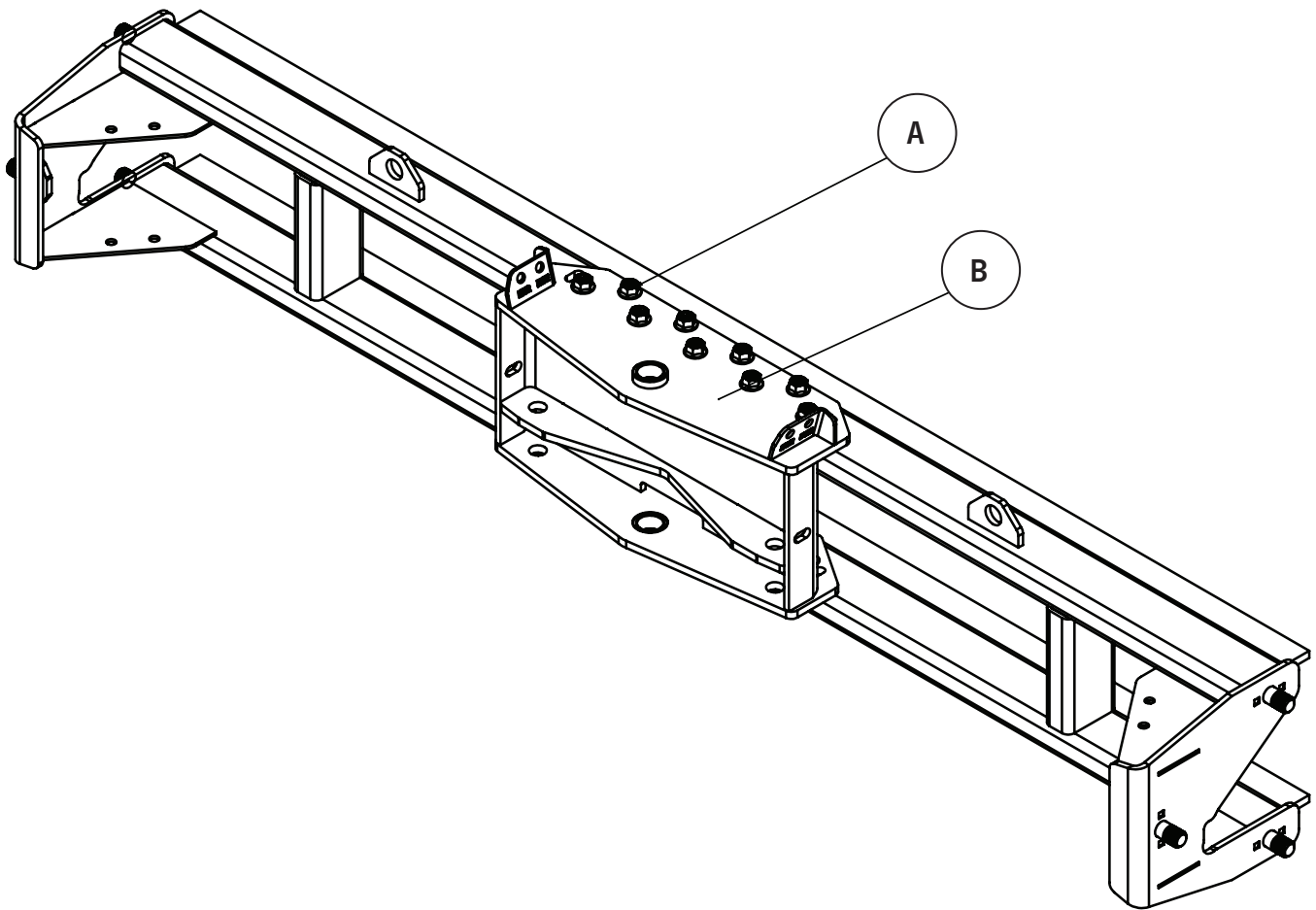
Main Frame.....	3
Front Angle Weldment.....	4
Rear Angle Weldment.....	5
A-Frame.....	6
Front Swivel Plate.....	7
Rear Swivel Plate.....	8
Coupler.....	9
Moldboards and Polyblocks.....	10
Wing to Frame.....	11
Cutting Edge Gap Shield.....	12
Wing Hinge & Wing Trip Hinge Hardware.....	13
Wing Hinge.....	14
Wing Trip Hinge.....	15
Wing Components.....	16
Wing Cylinder.....	17
Angle Cylinders.....	18
Hydraulics.....	19
Hydraulic Lines.....	20
Electrical.....	21

MAIN FRAME



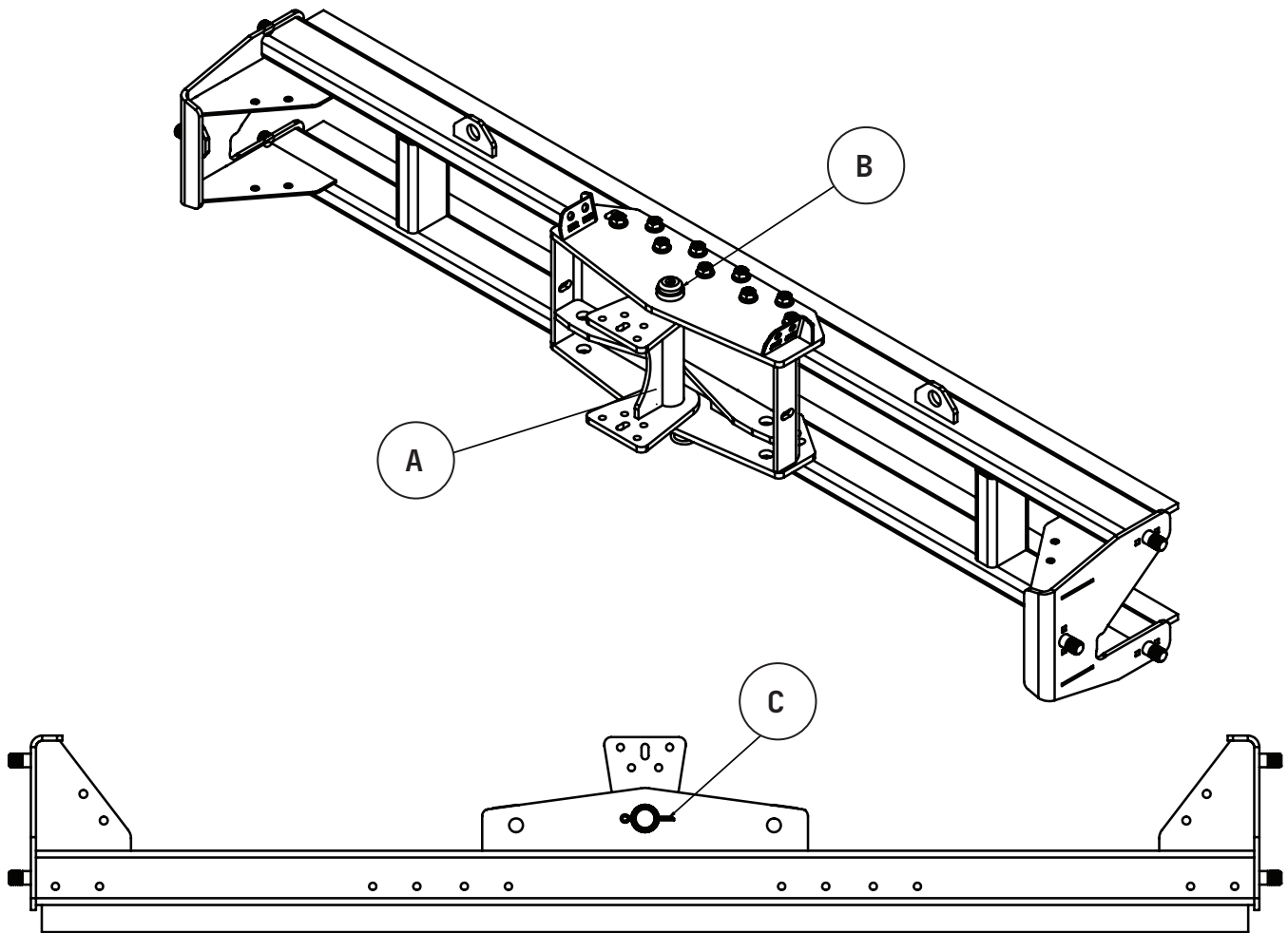
ITEM	PART NO.	DESCRIPTION
A	SPAWLD1301	LD8 Sno-Wing Main Frame
	SPAWLD2301	LD10.5 Sno-Wing Main Frame

FRONT ANGLE WELDMENT



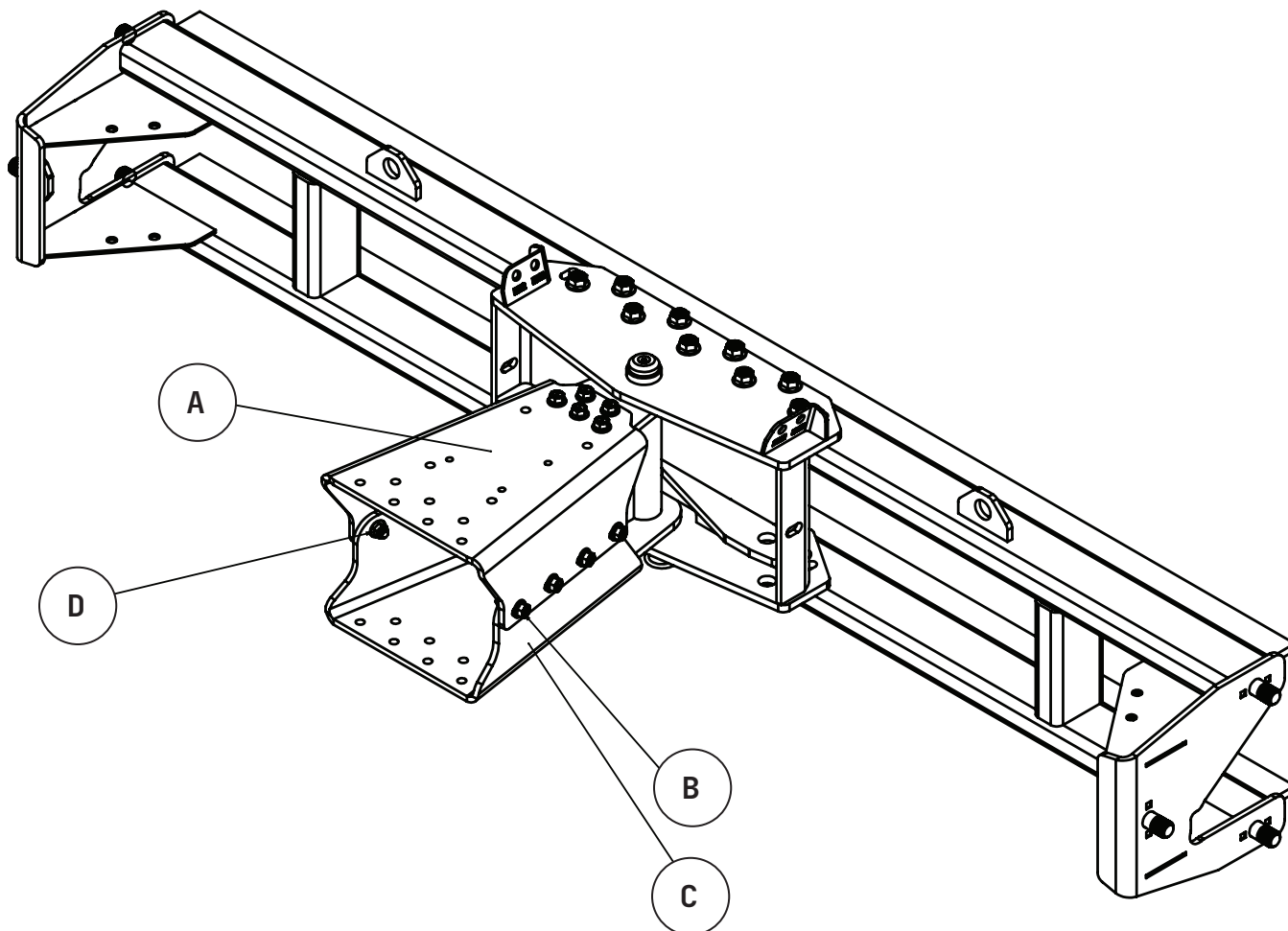
ITEM	PART NO.	DESCRIPTION
A	SPAWLD9093	5/8-11 x 1.25in. Flange Bolt
B	SPAWLD9317	Front angle weldment

REAR ANGLE WELDMENT



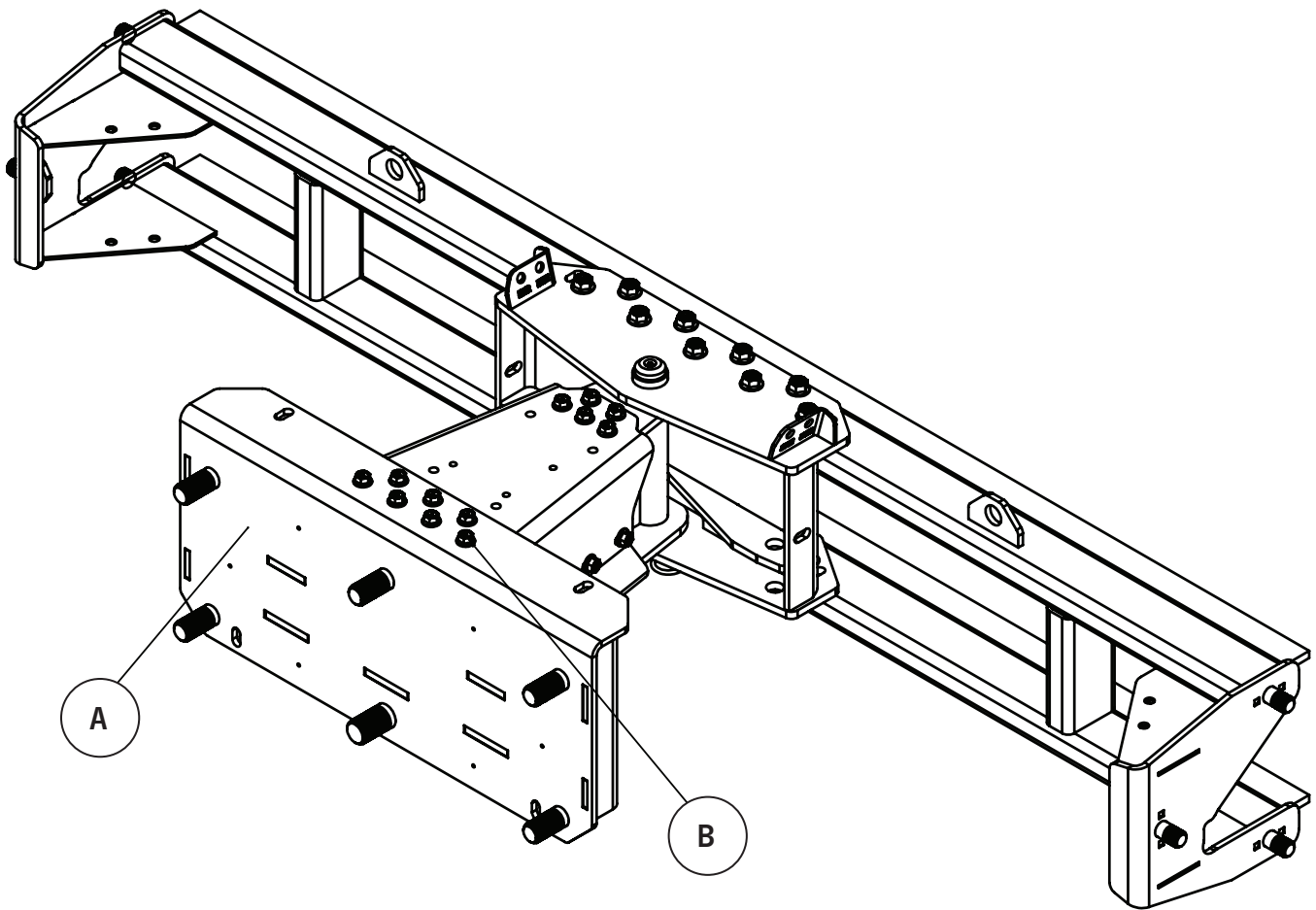
ITEM	PART NO.	DESCRIPTION
A	SPAWLD9308	Rear Angle Weldment
B	SPAWLD9099	Main Angle Pin
C	HRDW00000280	Cotter Pin

A-FRAME



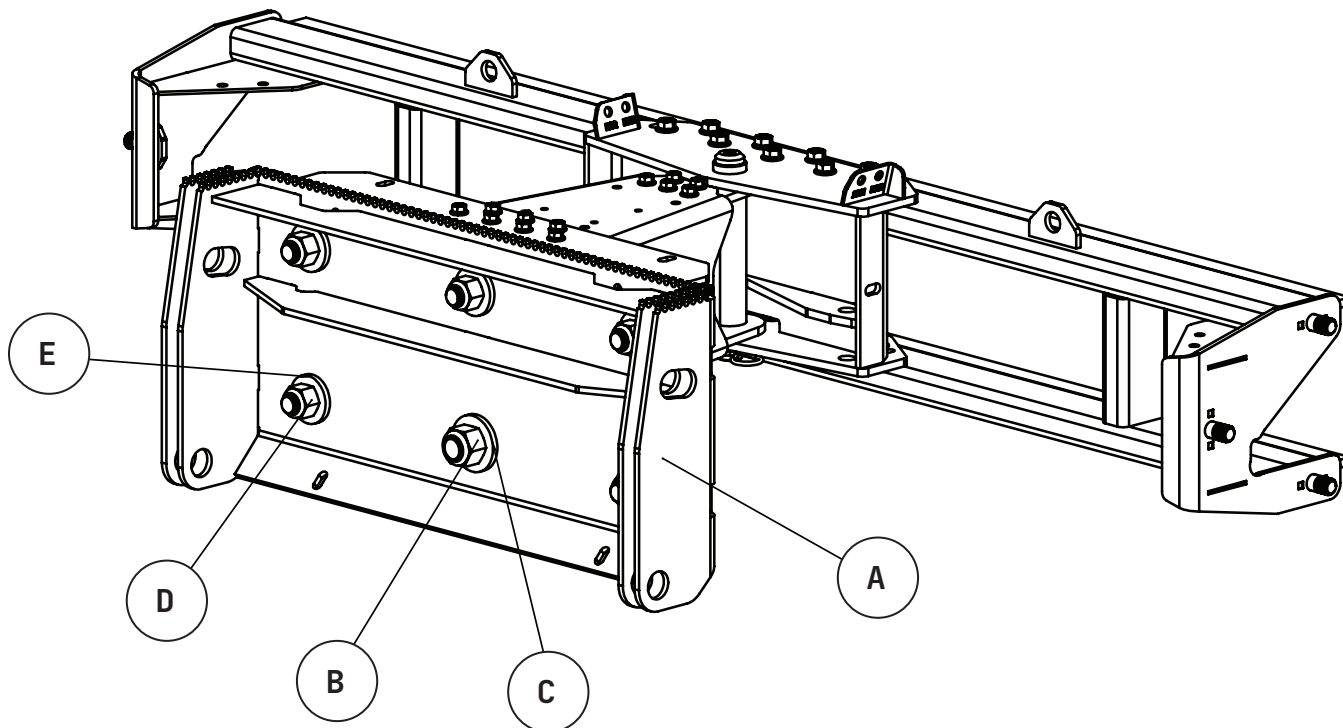
ITEM	PART NO.	DESCRIPTION
A	SPAWLD9031	A-Frame Top - Sheet Metal - 0.375in. Thk
B	SPAWLD9130	1/2-13 X 1.5in. Flange Bolt
C	SPAWLD9028	A-Frame Bottom - Sheet Metal - 0.375in. Thk
D	SPAWLD9132	1/2-13 - Flange Nut

FRONT SWIVEL PLATE



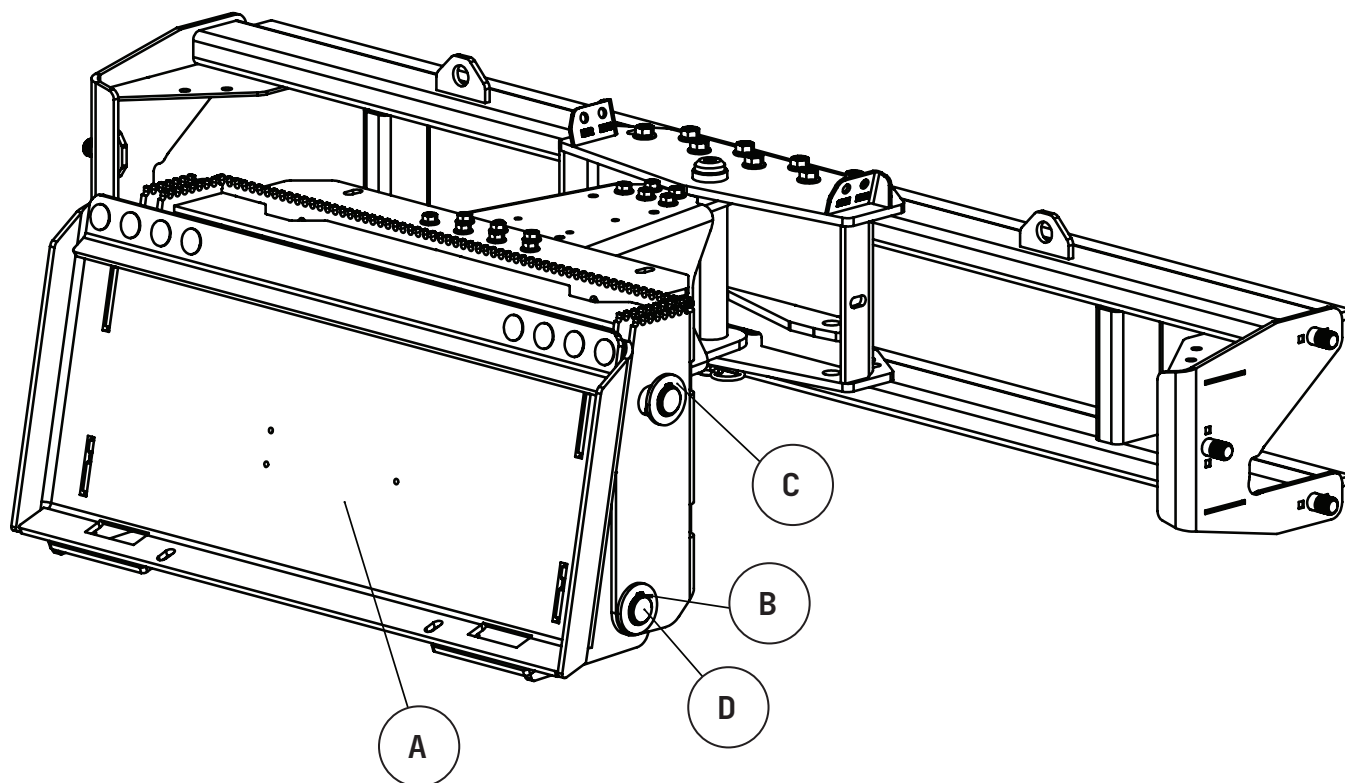
ITEM	PART NO.	DESCRIPTION
A	SPAWLD9310	Front Swivel Plate Weldment
B	SPAWLD9130	1/2-13 X 1.5in. Flange Bolt

REAR SWIVEL PLATE



ITEM	PART NO.	DESCRIPTION
A	SPAWLD9311	Rear Swivel Plate
B	SPAWLD9074	1.5-6 Nylock Nut
C	SPAWLD9078	1.5" Washer
D	SPAWLD9073	1.25-7 Nylock Nut
E	SPAWLD9077	1.25" Washer

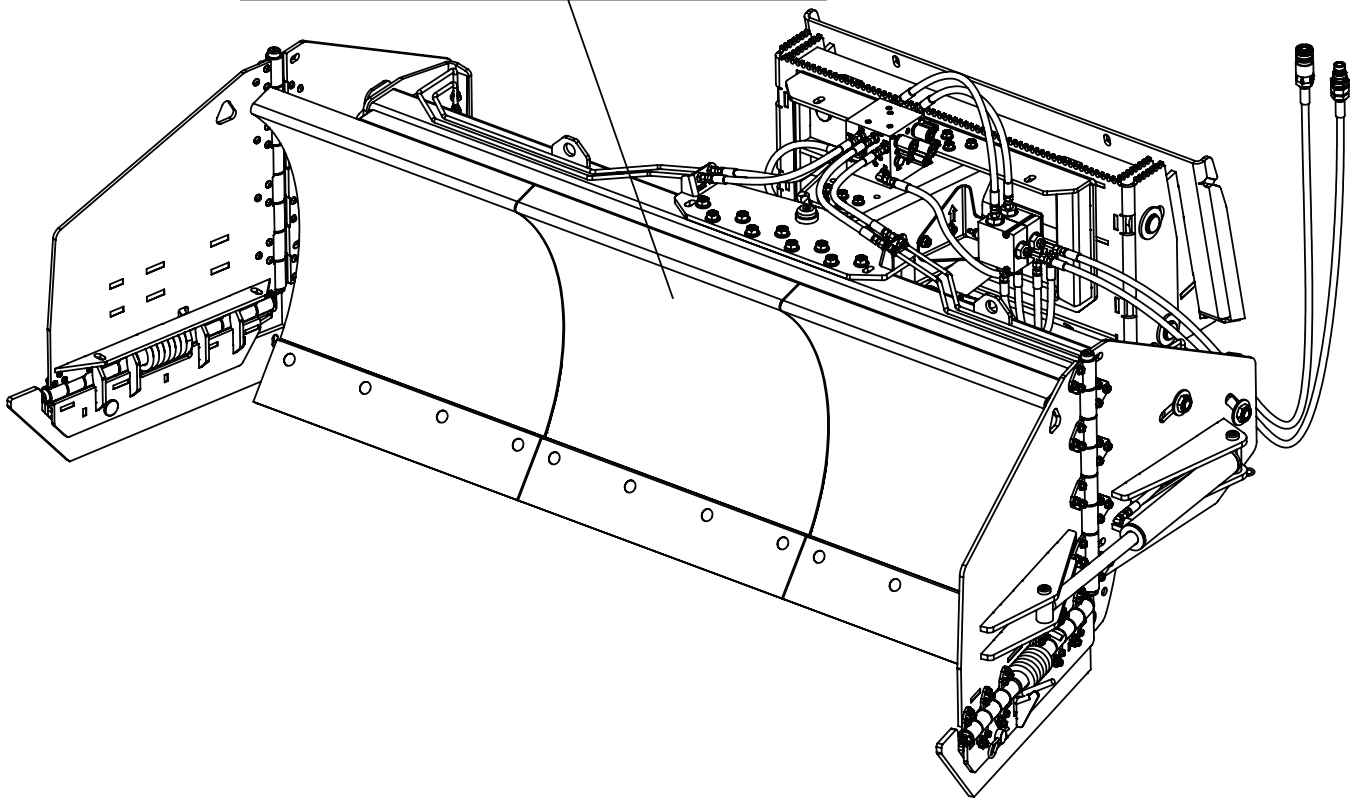
COUPLER



ITEM	PART NO.	DESCRIPTION
A	7652	LD Skid Steer Coupler <i>(Other options available)</i>
B	SPAWLD9088	C-Clip
C	SPAWLD9089	1.625" Washer
D	SPAWLD9087	Slip Hitch Pin

MOLDBOARDS AND POLYBLOCKS

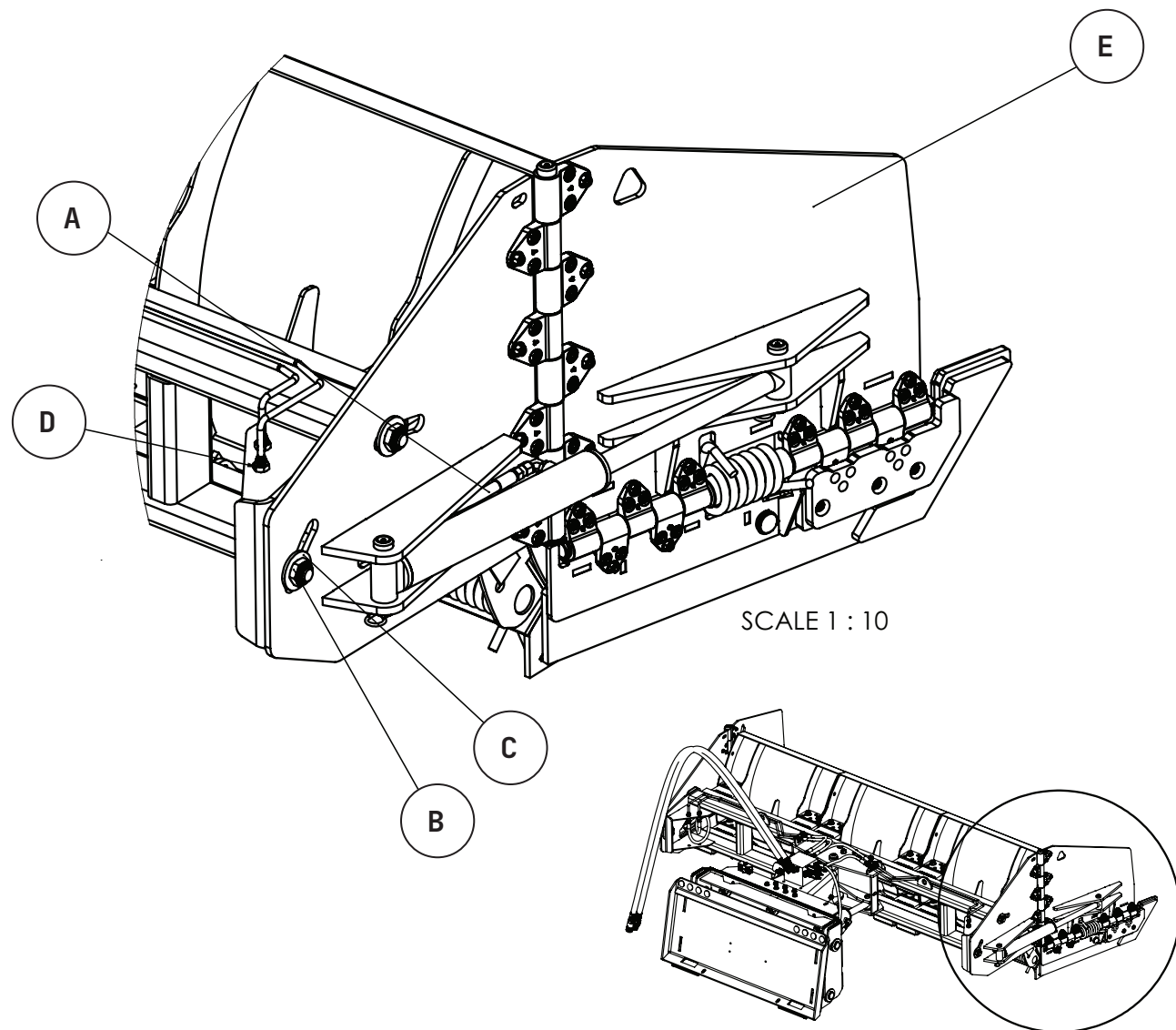
USES LD MOLDBOARDS AND POLYBLOCKS.
SEE LD PUSHER PARTS MANUAL.



SECTIONAL
NO-WING™

Arctic Sectional Sno-Wing™ LD Parts Manual

WING TO FRAME

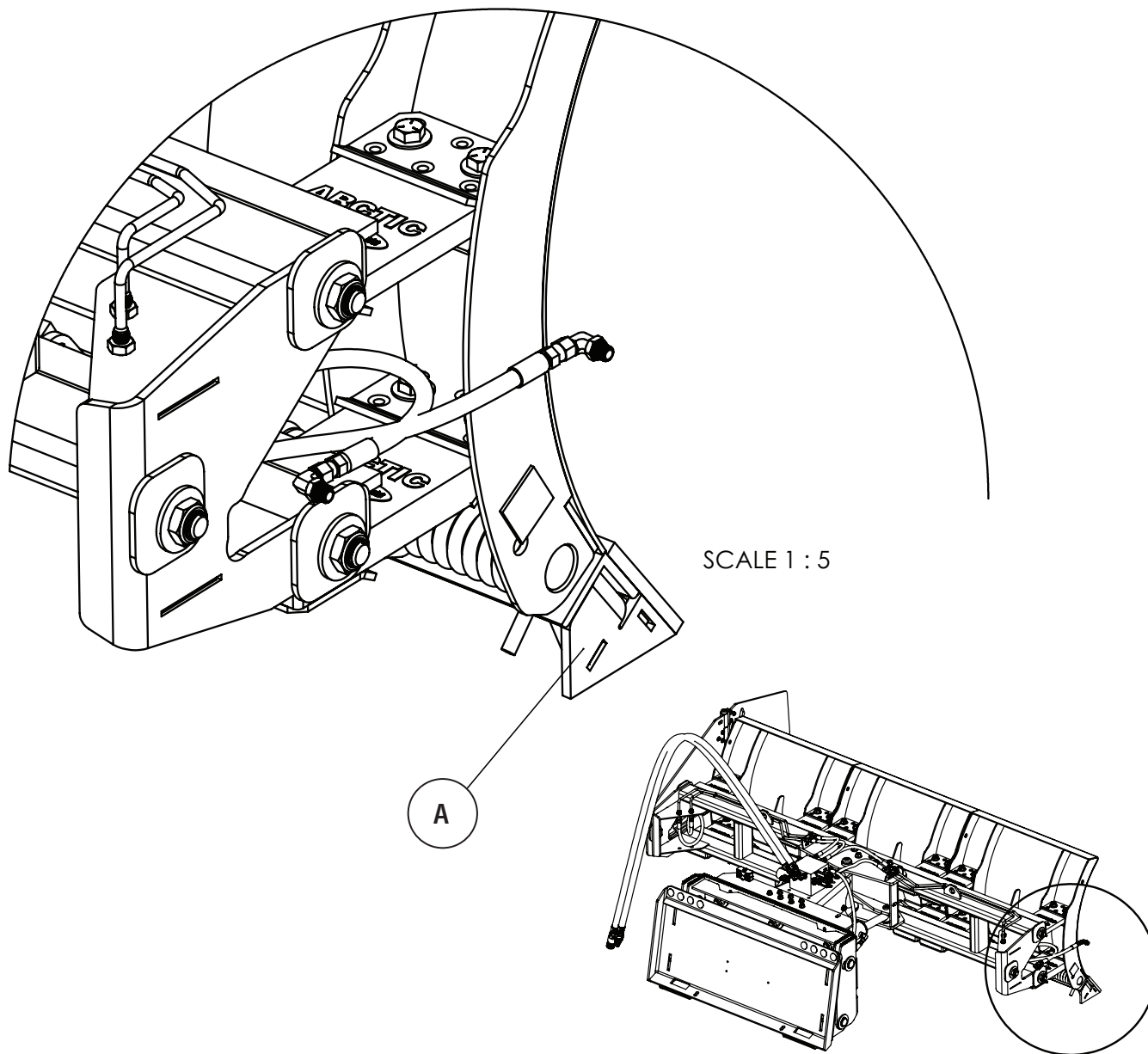


ITEM	PART NO.	DESCRIPTION
A	SPAWLD9226	LD Sno-Wing Universal Hose
B	SPAWLD9080	1-8 Nylock Nut - Shallow
C	SPAWLD9082	1" Washer
D	SPAWLD9159	-6 JIC Bulkhead Fittings
E	Entire Wing Assembly	
	SPAWLD9356	Right Wing Assembly
	SPAWLD9357	Left Wing Assembly

SECTIONAL
SNO-WING™

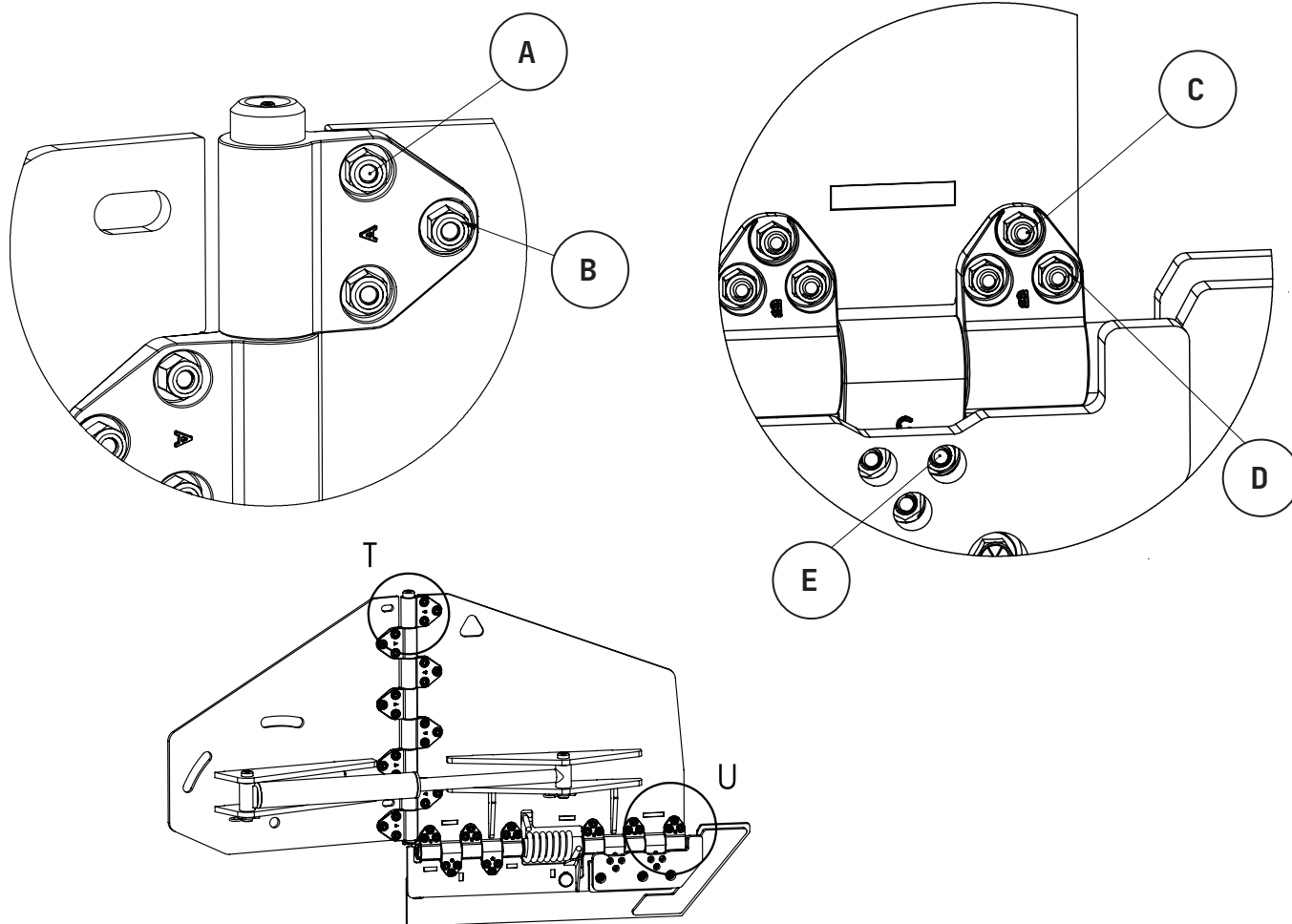
Arctic Sectional Sno-Wing™ LD Parts Manual

CUTTING EDGE GAP SHIELD



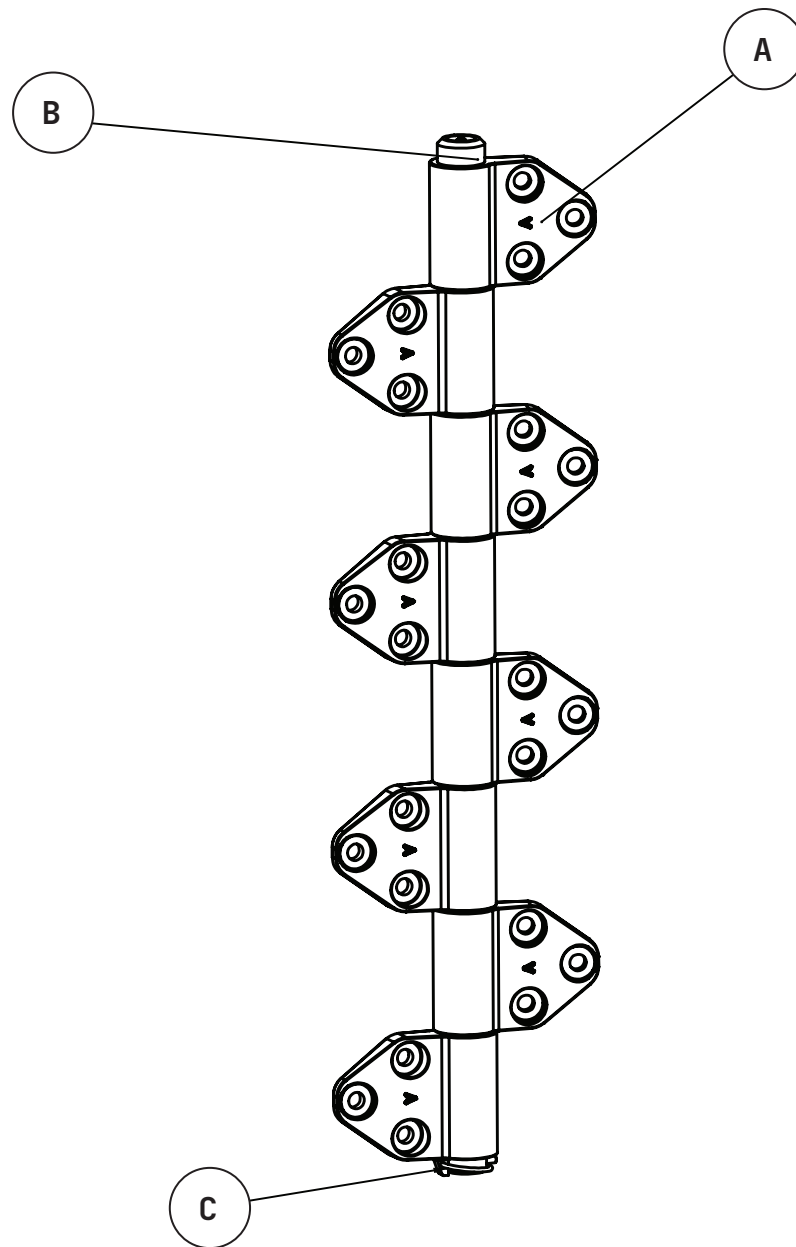
ITEM	PART NO.	DESCRIPTION
A	Cutting Edge Gap Shield	
	SPAULD9304	Right Cutting Edge Gap Shield
	SPAULD9341	Left Cutting Edge Gap Shield

WING HINGE & WING TRIP HINGE HARDWARE



ITEM	PART NO.	DESCRIPTION
A	SPAWLD9238	3/8-16 x 1" Carriage Bolt Gr. 8
	<i>Older Production:</i>	
	SPAWLD9233	Button Head
	SPAWLD9096	Tapped Wing
B	LDTP9498	3/8-16 Deformed Thread Lock Nut
C	SPAWLD9239	5/16-18 x 1" Carriage Bolt Gr. 8
	<i>Older Production:</i>	
	SPAWLD9234	Button Head
	SPAWLD9097	Tapped Wing
D	LDTP9499	5/16-18 Deformed Thread Lock Nut
E	LDTP9484	5/16-18 x 2" Carriage Bolt Gr. 8
	SPAWLD9097	Older production with tapped wings

WING HINGE

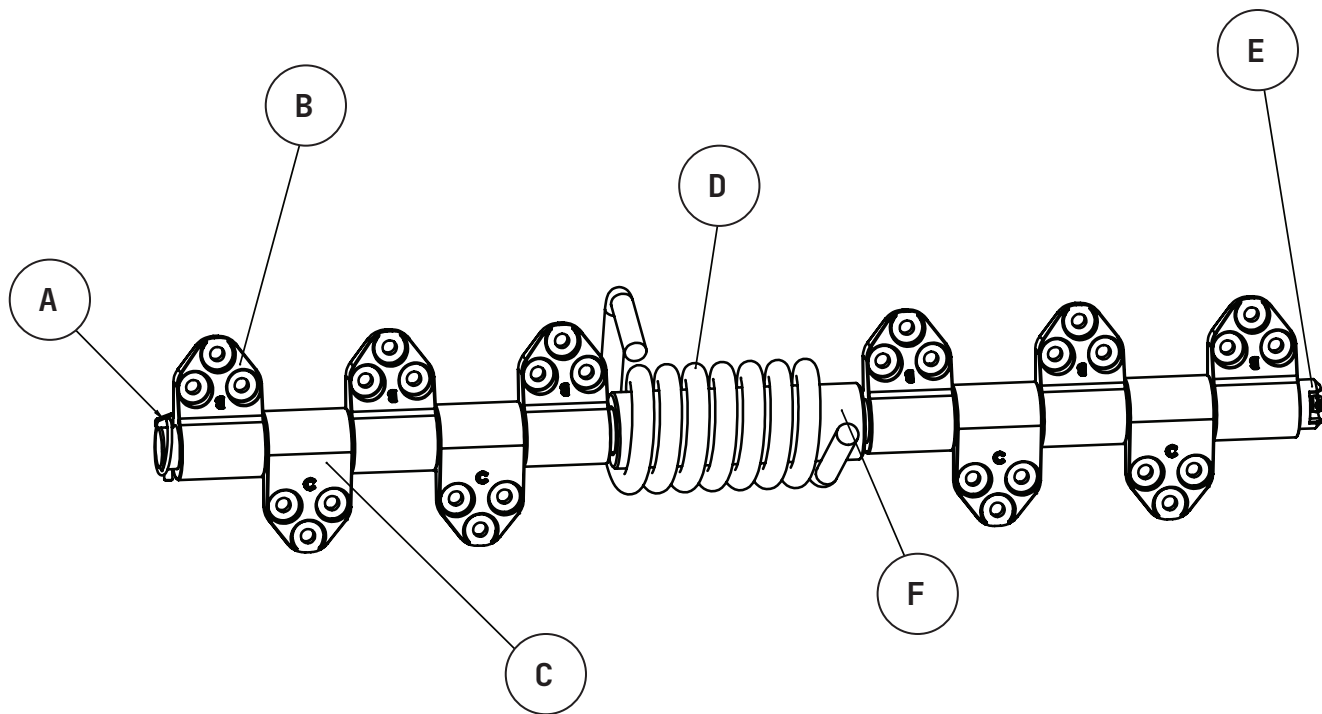


ITEM	PART NO.	DESCRIPTION
A	SPAWLD9249	Wing Hinge (forged)
B	SPAWLD9086	Wing Hinge Pin
C	SPAWLD9085	Linch Pin

SECTIONAL
SNO-WING™

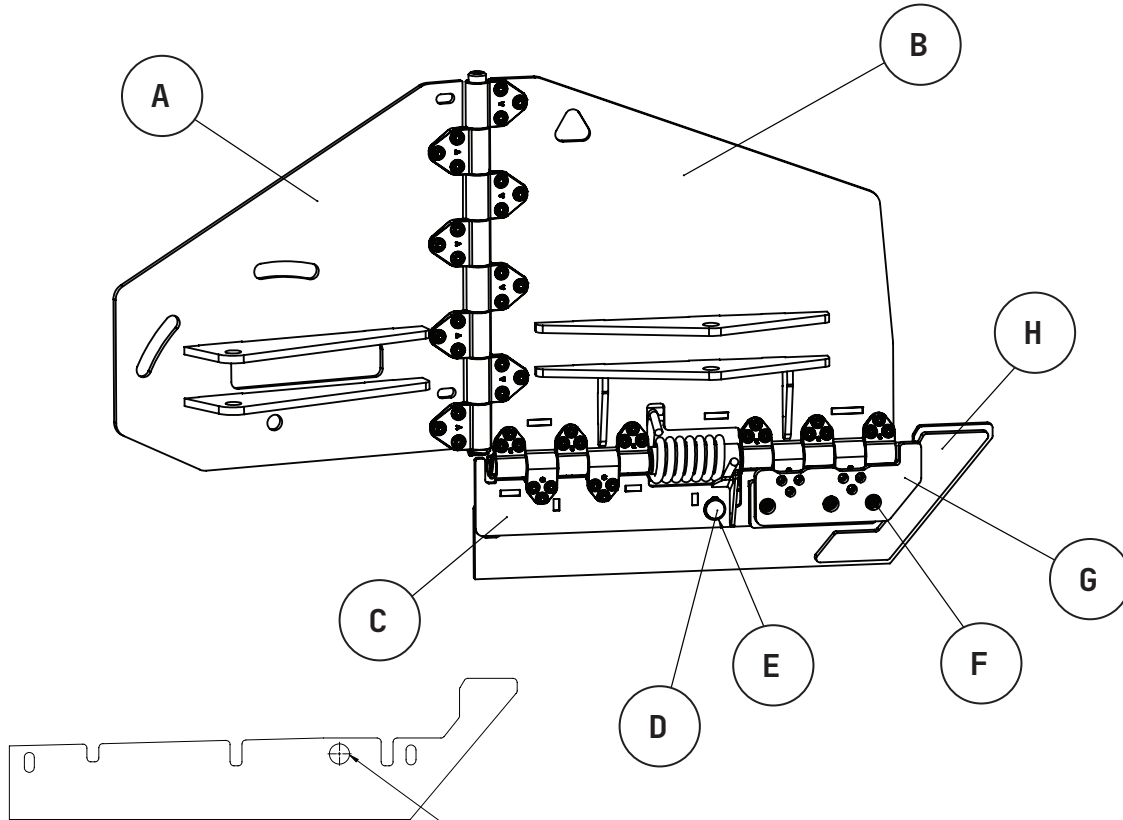
Arctic Sectional Sno-Wing™ LD Parts Manual

WING TRIP HINGE



ITEM	PART NO.	DESCRIPTION
A	SPAWLD9085	Linch Pin
B	SPAWLD9250	Upper Trip Edge Hinge
C	SPAWLD9251	Lower Trip Edge Hinge
D	Trip Spring	
	07117	Right Spring
	07112	Left Spring
E	SPAWLD9053	Wing Trip Hinge Pin
F	SPAWLD9195	Wing Trip Hinge Spring Bushing

WING COMPONENTS

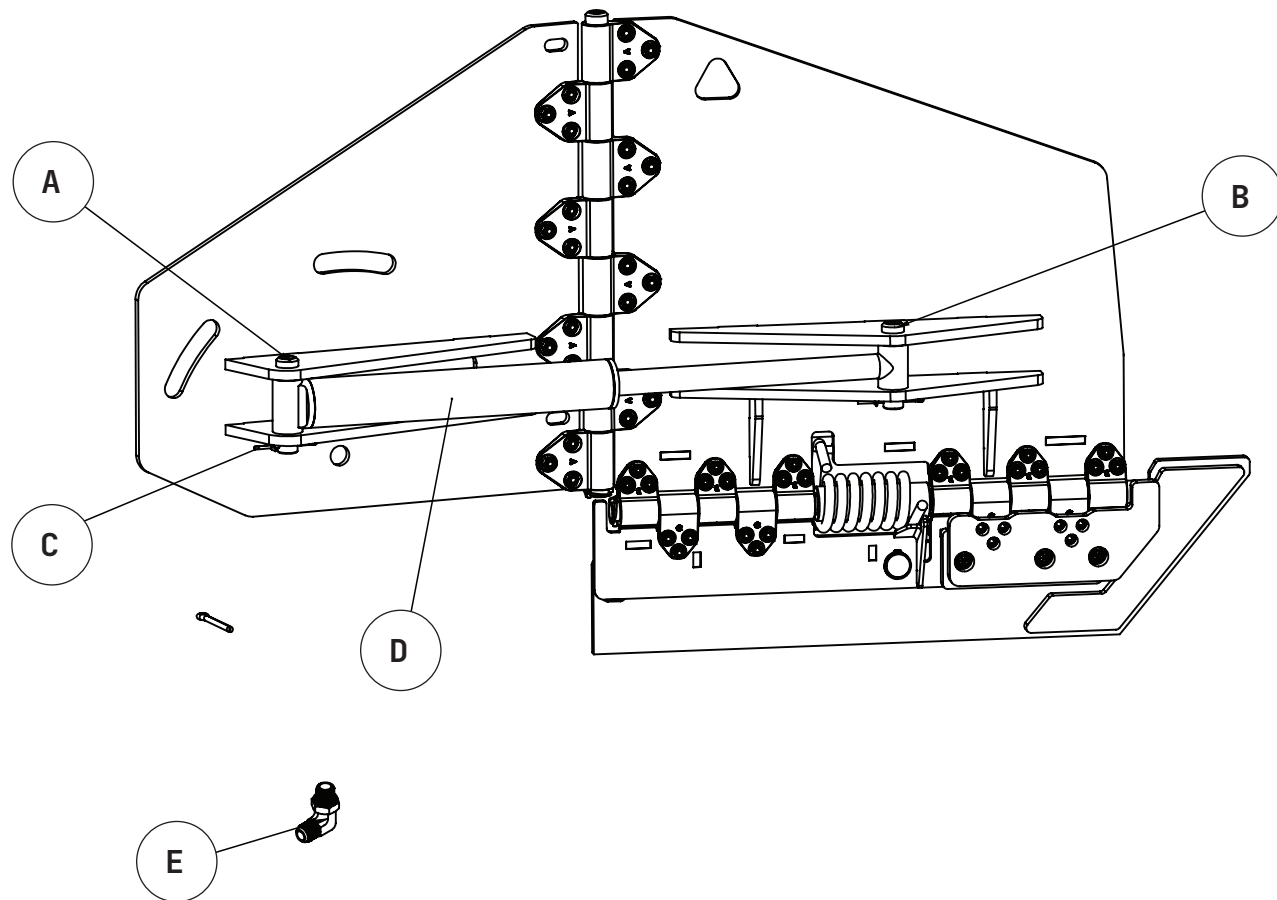


WING CUTTING EDGE 1ST TEN UNITS

Pivot hole located farther forward. Order "SPAWLD9012 1st 10 units"

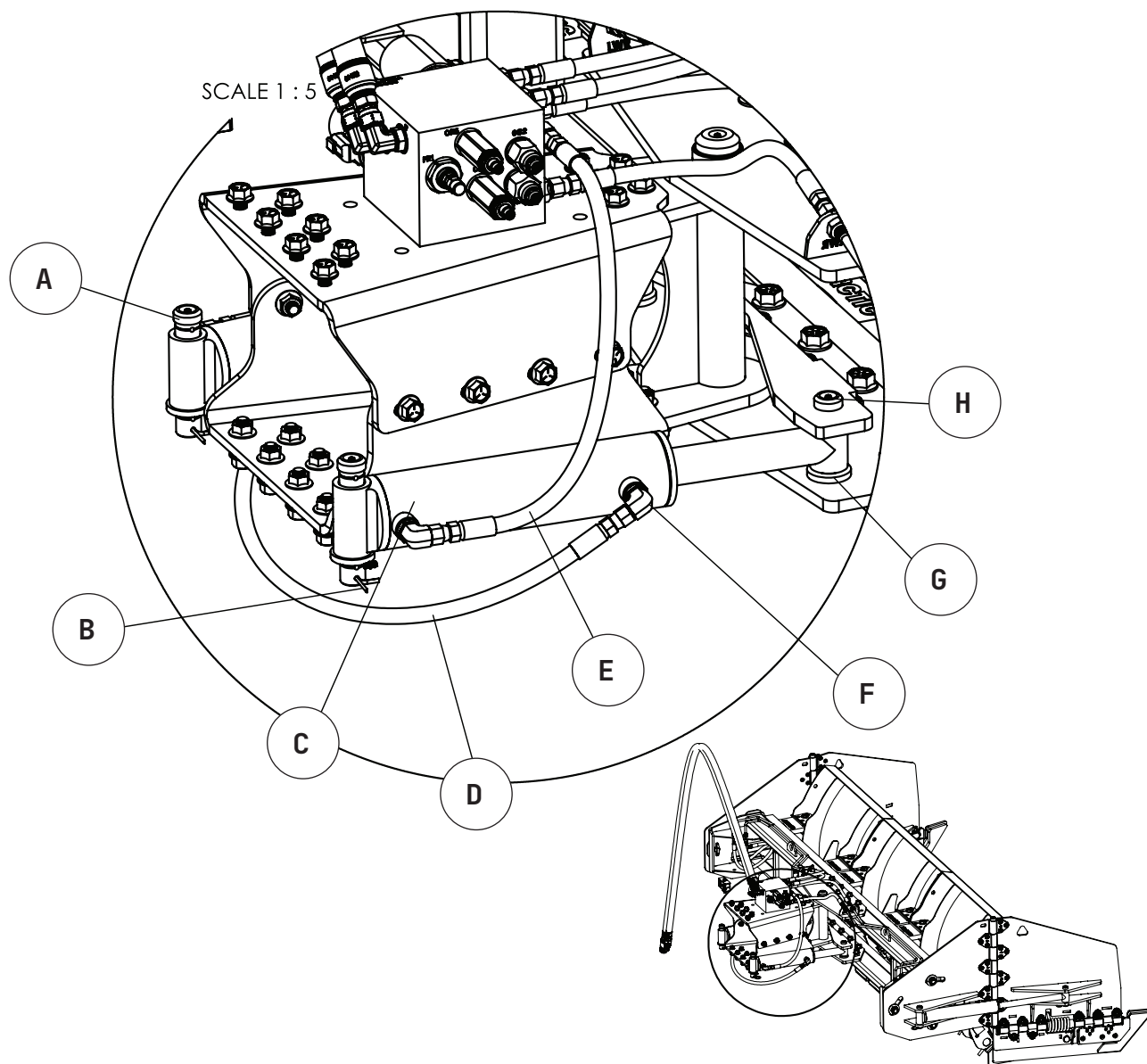
ITEM	PART NO.	DESCRIPTION
A	SPAWLD9327	Right Rear Wing Weldment
	SPAWLD9335	Left Rear Wing Weldment
B	SPAWLD9328	Front Right Wing Weldment
	SPAWLD9336	Front left Wing Weldment
C	SPAWLD9322	Right Trip Weldment (w/ Hinges and Curb Guard)
	SPAWLD9340	Left Trip Weldment (w/ Hinges and Curb Guard)
	SPAWLD9303	Right Trip Weldment (w/o Curb Guard)
	SPAWLD9337	Left Trip Weldment (w/o Curb Guard)
D	SPAWLD9090	Wing Cutting Edge Pin (Note: Older design used cotter pin. Order circlip if replacing older style pin.)
E	SPLD1.59060	Circlip
F	SPAWLD9136	3/8-16 x 1" Flange Bolt
G	SPAWLD9363	Right Curb Guard
	SPAWLD9364	Left Curb Guard
H	SPAWLD9361	Wing Cutting Edge (Note: For use with wing with middle mounting hole For older units with forward mounting hole order "SPAWLD9012 1st 10 units")

WING CYLINDER



ITEM	PART NO.	DESCRIPTION
A	SPAWLD9127	Rear Wing Cylinder Pin
B	SPAWLD9165	Front Wing Cylinder Pin
C	HRDW00000280	Cotter Pin
D	SPAWLD9149	Wing Cylinder
E	SPAWLD9171	-6 JIC to -6 Oring 90 Degree Fitting

ANGLE CYLINDERS

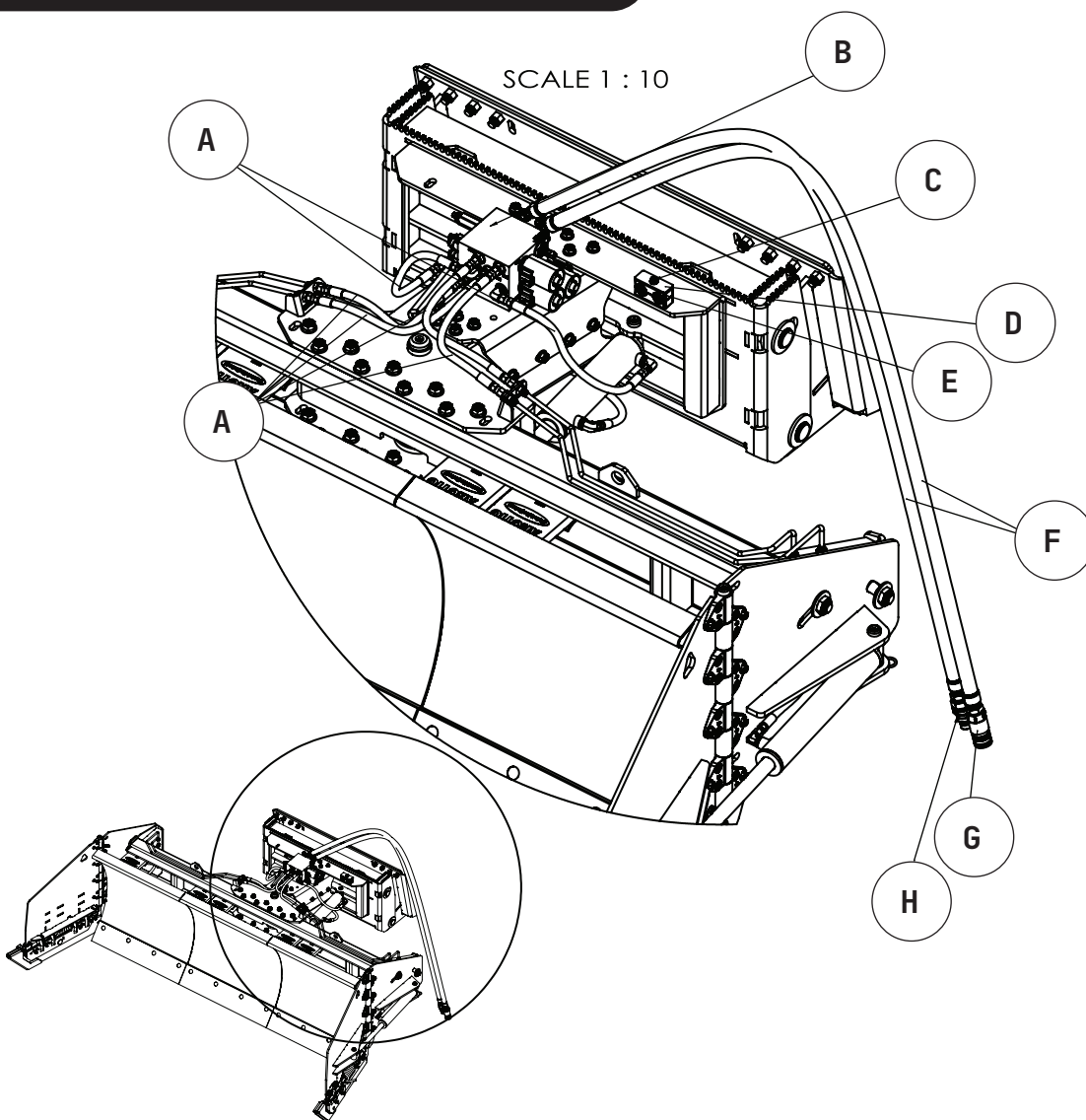


ITEM	PART NO.	DESCRIPTION
A	SPAWLD9203	Rear Angle Pin
B	HRDW00000280	Cotter Pin
C	SPAWLD9201	Angle Cylinder
D	SPAWLD9228	Crossover Hose
E	SPAWLD9225	LD Sno-Wing Universal Hose
F	SPAWLD9166	Angle Cylinder Fittings
G	SPAWLD9227	Angle Cylinder Washer (**Not on every plow**)
H	SPAWLD9126	Front Angle Pin

SECTIONAL
SNO-WING™

Arctic Sectional Sno-Wing™ LD Parts Manual

HYDRAULICS

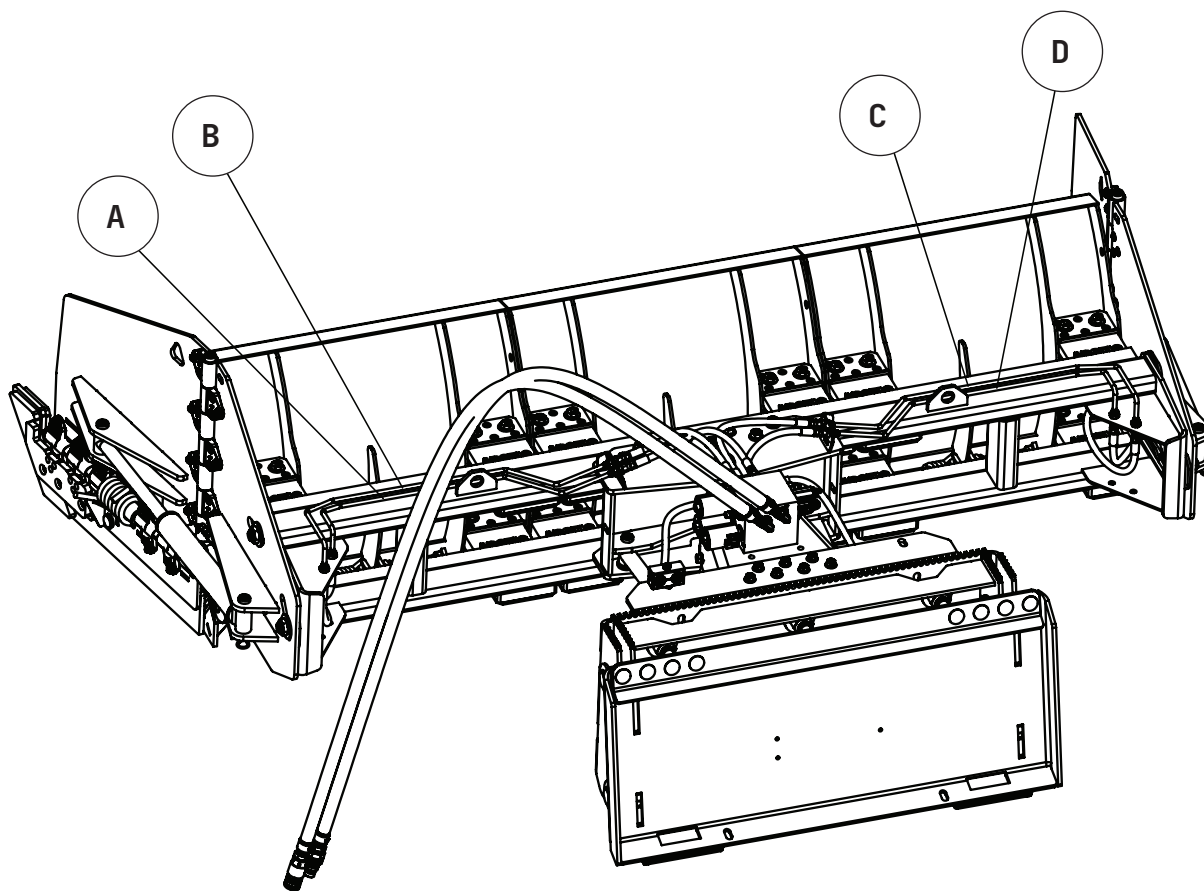


ITEM	PART NO.	DESCRIPTION
A	SPAWLD9225	LD Sno-Wing Universal Hose
B	HYDR00000243	LD Sno-Wing Manifold – Complete with fittings <i>SPAWLD9365 (For use with older design plows with -8 hose whip) Either replaces SPAWLD9204 and FR 12-33A-12T-N</i>
C	DDSB2.3156	5/16-18 x 2.75" Bolt
	DDB5165	5/16-18 Nylock Nut
	HRDW00000201	5/16 Washer
D	HYDR00000200	Hold Down Clamp Top Plate
E	HYDR00000199	Hydraulic Hose Hold Down Clamp
F	HYDR0000042	Main Hose Whip (<i>Note: Older plows require fitting change at manifold to -8</i>)
G	DDB5243	1/2in. Body Female Hydraulic Coupler
H	DDB5242	1/2in. Body Male Hydraulic Coupler

SECTIONAL
SNO-WING™

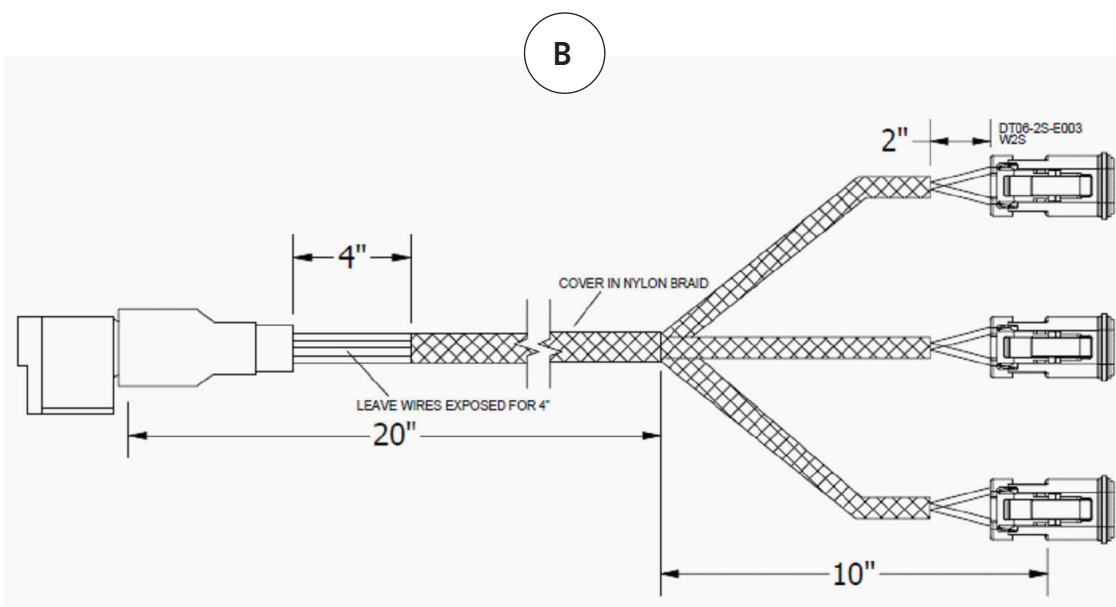
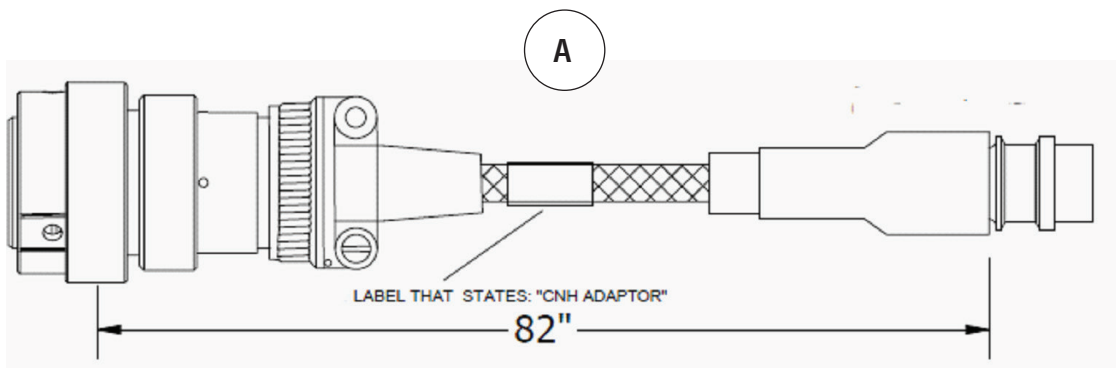
Arctic Sectional Sno-Wing™ LD Parts Manual

HYDRAULIC LINES



ITEM	PART NO.	DESCRIPTION
A	SPAWLD1006	LD8 Left Wing Retract Line
	SPAWLD2006	LD10.5 Left Wing Retract Line
B	SPAWLD1007	LD8 Left Wing Extend Line
	SPAWLD2007	LD10.5 Left Wing Extend Line
C	SPAWLD1004	LD8 Right Wing Extend Line
	SPAWLD2004	LD10.5 Right Wing Extend Line
D	SPAWLD1005	LD8 Right Wing Retract Line
	SPAWLD2005	LD10.5 Right Wing Retract Line

ELECTRICAL



ITEM	PART NO.	DESCRIPTION
A	Q14245-E04-S01	LD Sno-Wing Main Harness - 82" Long - 14 Pin To Breakaway Connector
B	Q14245-E05-S01	Manifold Harness - Breakaway To (3) Deutsch 2-Pin Connectors