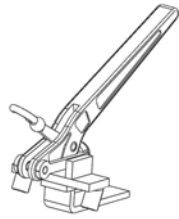
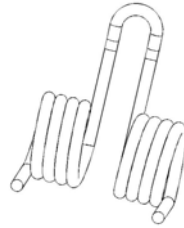


# Installation of Torsion Springs

1. Attach Spring Tool over the legs of the spring

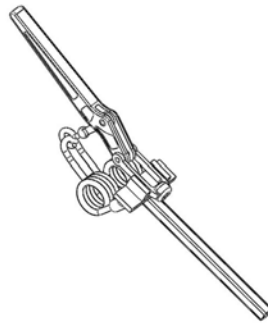


Spring Set Tool

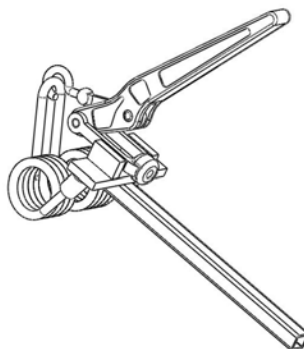


Center Spring

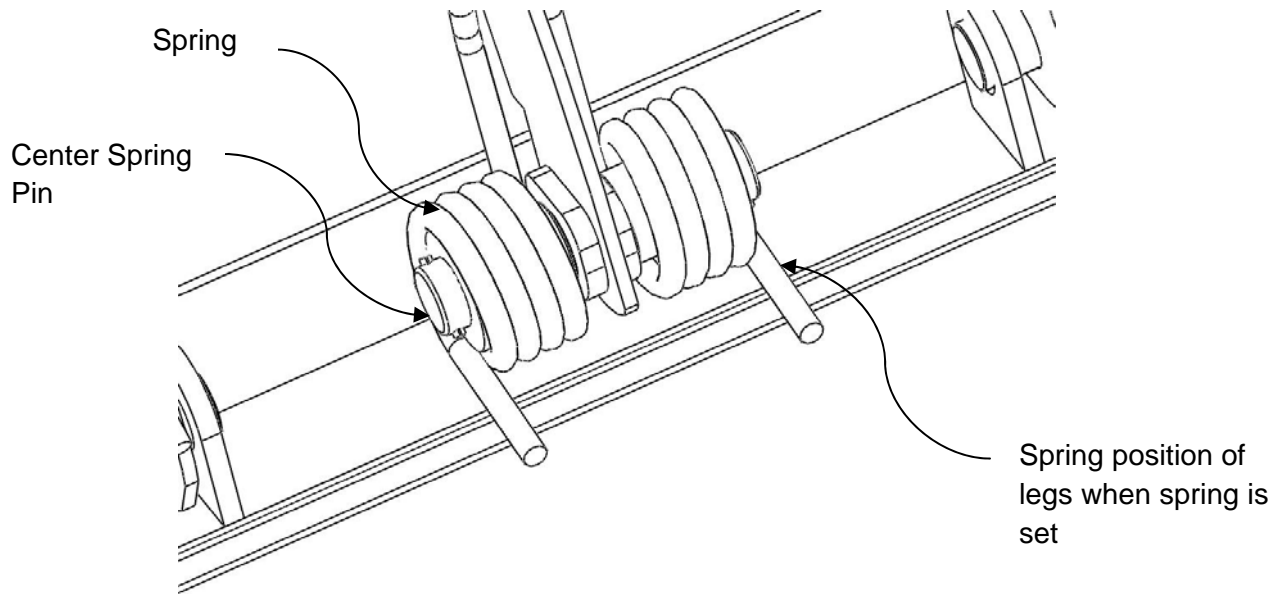
2. Place spring into spring set tool and use spring set tool to set spring in place.



3. Once spring is set as shown below place spring and tool into moldboard.



4. Release spring tool once center spring pin, bushings, and washers are in place.



4. **Warning:** Do not attempt to set springs by hand or without proper tooling it can result in serious injury.